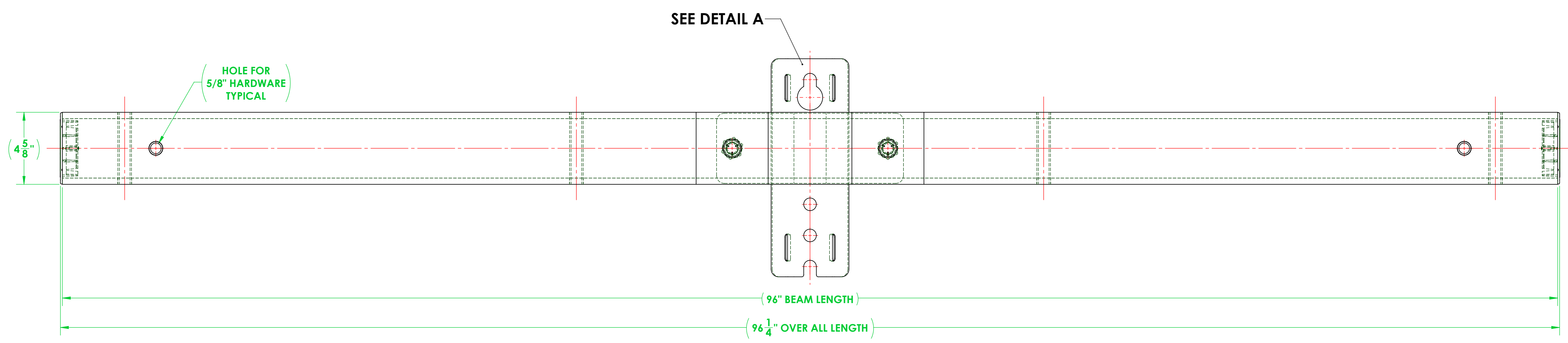
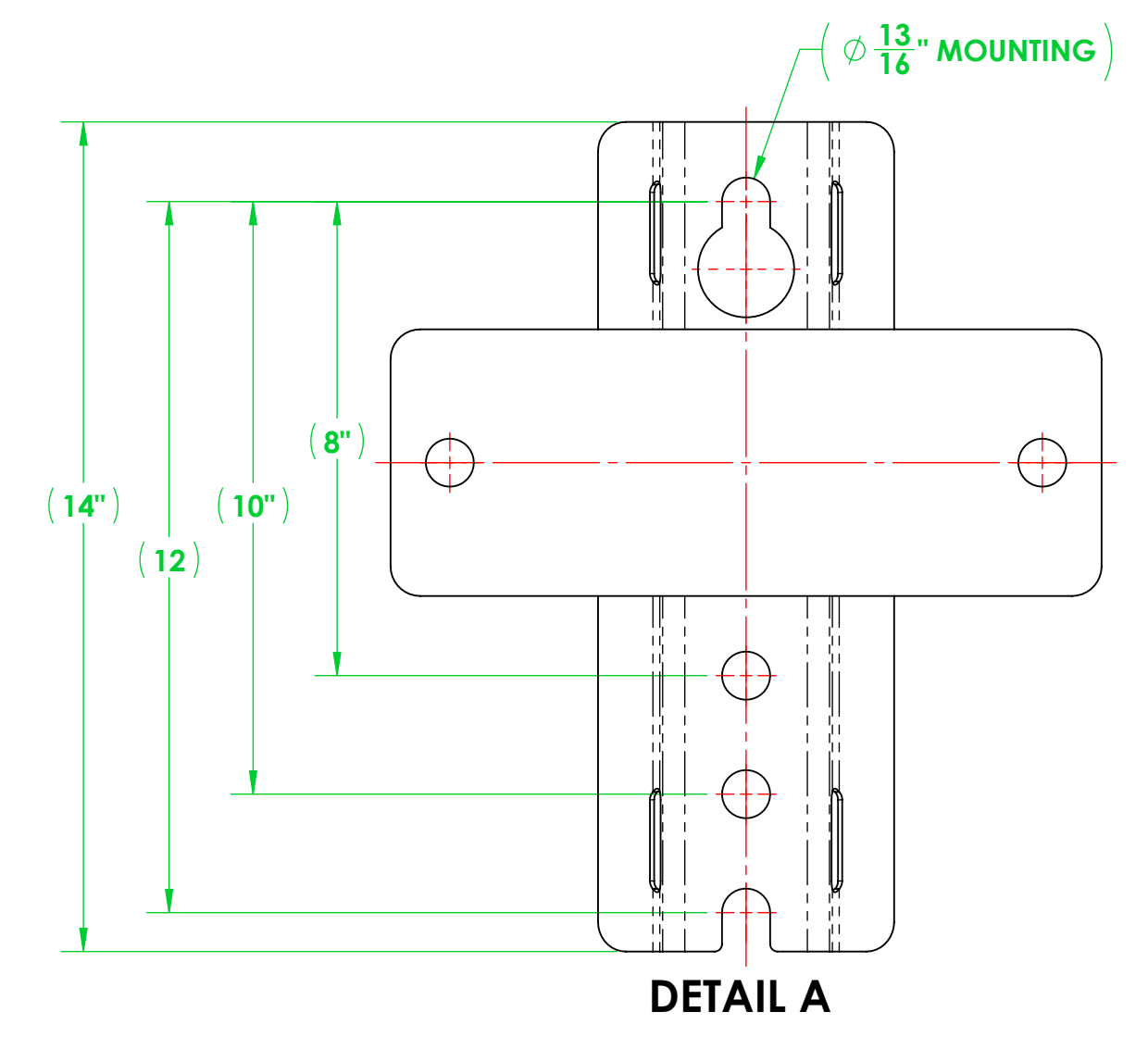
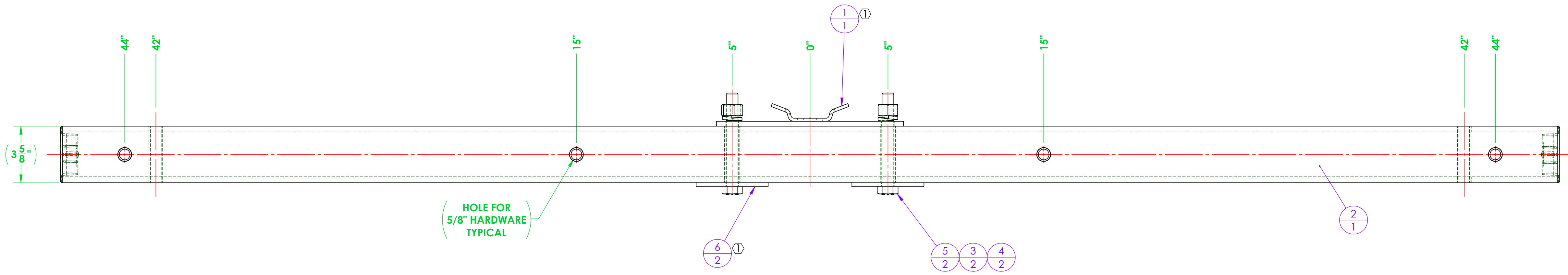


REVISIONS			
REV.	DESCRIPTION	DATE	APPROVED
-	NEW RELEASE	-	-
1	MOUNTING BRACKET WAS FABRICATED NOW PURCHASED. REPLACED COMPRESSION PLATE WITH 2 PLATE WASHERS.	4/23/2026	F. BRYANT



ITEM NO.	PART NUMBER	DESCRIPTION	QTY.
① 1	A700-0042	CROSSARM MOUNTING BRACKET, TANGENT, 3400 SERIES	1
2	3403A096-T011-X901 CA	ASSEMBLY, RUS, 3403 TANGENT CROSSARM, 8' LONG TYPE 3 DRILL PATTERN	1
3	A616-0042-01	LOCK WASHER, FOR 3/4" SCREW, 0.766" ID, 1.265" OD, 0.188" THICK, HOT-DIPPED GALVANIZED STEEL	2
4	A616-0019-02	EXTREME STRENGTH NUT, HEX, 3/4"-10, 2H, HOT-DIPPED GALVANIZED	2
5	A616-0020-02	BOLT, HEX, 3/4"-10 X 6.00" LONG, HOT DIPPED GALVANIZED STEEL, 1-1/8" DRIVE	2
① 6	A700-0047	WASHER, SQUARE, 4.625" X 4.625" X 0.25 THICK WITH 0.81 THRU HOLE	2

GENERAL NOTES		UNLESS OTHERWISE SPECIFIED		NAME	DATE
DIMENSIONS ARE IN INCHES		STANDARD TOLERANCES		DRAWN	F. BRYANT
FRACTIONAL: ±1/32		ANGULAR:		CHECKED	TJS
MACHINED: ±0.5° BEND: ±2°		TWO PLACE DECIMAL: ±0.03		ENG APPR.	
THREE PLACE DECIMAL: ±0.005		INTERFERE GEOMETRIC TOLERANCING PER ANSI Y14.5		MFG APPR.	
MATERIAL		PROPERTY AND CONFIDENTIAL		Q.A.	
FINISH		THE INFORMATION CONTAINED IN THIS DRAWING IS THE SOLE PROPERTY OF VETURIO. ANY REPRODUCTION IN PART OR AS A WHOLE WITHOUT THE WRITTEN PERMISSION OF VETURIO IS PROHIBITED.			
DO NOT SCALE DRAWING		SCALE: 1:8		WEIGHT: 69.44	SHEET 1 OF 1

ATROPOS COMPOSITES
 12208 MISSOURI BOTTOM ROAD, HAZELWOOD, MO 63042
 PHONE: 314.714.4001 FAX: 314.895.1943
 SALES@LABYRINTH-TECH.COM

TITLE:
ASSEMBLY, TANGENT, 3403, (4) WIRE, 8 FT.

SIZE DWG. NO. REV
D 3403A096-T011-X901 1